



Haier

北京2008年奥运会赞助商
Official Sponsor of the Beijing 2008 Olympic Games

CAUTION

READ THIS MANUAL CAREFULLY TO
DIAGNOSE TROUBLE CORRECTLY
BEFORE OFFERING SERVICE .

SERVICE MANUAL

Air Conditioners

MODEL: HSU-09LV03

THIS MANUAL IS USED BY
QUALIFIED APPLIANCE
TECHNICIANS ONLY. HAIER
DOES NOT ASSUME ANY
RESPONSIBILITY FOR PROPERTY
DAMAGE OR PERSONAL INJURY
FOR IMPROPER SERVICE
PROCEDURES DONE BY ONE
UNQUALIFIED PERSON.

REVISION 0



Большая библиотека технической документации

<https://splitsystema48.ru/instrukcii-po-ekspluatácii-kondicionerov.html>

каталоги, инструкции, сервисные мануалы, схемы.

IMPORTANT INFORMATION



● Features

- Comfortable: wide-angle airflow
- health air purifying
- quiet operation

● Main Specification

- Cooling Capacity : 2600W
- Rated Power/Current(cooling) : 940W/4.3A
- EER: 2.77
- Air Volume(Indoor/outdoor): 400m³/h
- Power: 1PH 220V~ 50 Hz

Safety Information

General Information

This Service Manual describes the operation, disassembly, troubleshooting, and repair of Haier Room Air Conditioners, etc. It is intended for use by authorized servicers who troubleshoot and repair these units.

NOTE: It is assumed that users of this manual are familiar with the use of tools and equipment used to troubleshoot and repair electrical, mechanical, and refrigeration systems; and understand the terminology used to describe and discuss them.

Haier urges you read and follow all safety precautions and warnings contained in this manual. Failure to comply with safety information may result in severe personal injury or death.

Related Publications

This is a base service manual, covering a range of similar models. It is intended to be used in conjunction with the Parts Manual and Technical Sheet covering specific model being serviced.

General Precautions and Warnings

WARNING

To avoid risk of personal injury or death due to electrical shock, disconnect electrical power to unit before attempting to service the unit.

WARNING

To avoid risk of personal injury or death due to electrical shock, **DO NOT**, under any circumstances, alter the grounding plug. Air conditioner must be grounded at all times. Do not remove warning tag from power cord. If a two-prong (non-grounding) wall receptacle is encountered, contact a qualified electrician and have the receptacle replaced with a properly grounded wall receptacle in accordance with the National Electrical Code.

WARNING

To avoid risk of personal injury or death due to electrical shock, grounding wires and wires colored like grounding wires are **NOT** to be used as current carrying conductors. The standard accepted color coding for ground wires is **green** or **green with a yellow stripe**. Electrical components such as the compressor and fan motor are grounded through an individual wire attached to the electrical component and to another part of the air conditioner. Grounding wires should not be removed from individual components while servicing, unless the component is to be removed and replaced. It is extremely important to replace all removed grounding wires before completing service.

WARNING

To avoid risk of heat exposure, which may cause death or severe illness, air conditioner must be monitored when malfunctions or shuts down.

CONTENTS

1.SPECIFICATION.....	1
2.ELECTRI CAL CONTROL.....	2
3.TROUBLE SHOOTING.....	6
4.INSTALLA TION.....	8
5.WIRING DIAGRAM.....	16
6. THERMISTER RESISTANCE CHART.....	18
7. PERFORMANCE CURVES DIAGRAM.....	23
8. COMPRESSOR PERFORMANCE DIAGRAM.....	24
9. SOUND PRESSURE LEVEL.....	25
10. SCHEMATIC DIAGRAM OF PCB.....	26

SPECIFICATION

Model:	HSU-09LV03		Brand Mark:	-----	
Cooling	Cooling Capacity:	2600W	Frequency Range:	-----	
	Rated Power/Current:	940W/4.3A	Power	1PH 220~ 50 Hz	
	Max Power/Current:	1200W/6.2A	Indoor Motor Power:	16w	
	EER	2.77		Outdoor Motor Power:	18w
Heating	Heating Capacity:	-----	Compressor manufacturer/Type		RECHI 44R233CF-5JSC
	Rated Power/Current:	-----	Compressor	270cc	
	Max Power/Current:	-----	Oil charge		
	COP	-----			
Power/Current of Electric Heating:	-----		Refrigerant	Type/Net Charge:	R22 470g
Operating temp. range	-7°C-43°C			Additional Charge for exhausting air.	50g
Indoor Velocity	H:	1200 r/min		Charge if over Standard Pipe Lenth	16g/m
	M:	1150 r/min	Capillary	Lenth×Internal/External Diametre	900x φ 1.4x φ 2.7
	L:	1050 r/min		Refer No.:	0010708233
Outdoor Velocity	H:	830 r/min	Height of rising radiator slice	Indoor:	1.30 mm
	H:	---- r/min		Outdoor:	1.30 mm
	H:	---- r/min	Indoor Weight	Net:	7.2kg
Air Volume (High)	Indoor:	400 m ³ /h	Outdoor Weight	Gross:	10.8kg
				Net:	23.5kg
	Outdoor:	---- m ³ /h	Indoor Dimension(L×W×H):	795×265×182 mm	
Capacitor of Fan Motor:	2uF/450v		Indoor Packaging Dimension(L×W×H)	863×275×330 mm	
Class of electric Shock Protection	I		Outdoor Dimension (L×W×H):	700×250×430 mm	
Class of Water Proof:	IP 24		Outdoor Packaging dimension(L×W×H)	823×363×505 mm	
Moisture Removal:	1.2×10 ⁻³ m ³ /h		Refrigerant Pipe	liquid /Gas pipe Diametre	φ6.35/9.52 mm
Remote Controller	Model	YR—H68		standard Lenth	7 m
	Refer. No.:	-----		Max Lenth	15 m
Remote Controller Bracket:	-----		Lenth/Diametre of Drain Hose	-----	
Appearance:	-----		Max. pressure at warm side:	2.65 MPa	
Climate Type:	T1		Max.pressure at cool side:	0.65 Mpa	
Installation Bracket Type:	-----		Evaporator area:	0.15m ²	
Area available for clooling/heating	12-18 m ²		Condenser area	0.20 m ²	
Max.running temperature(cooling):	Dry/Wet ball(indoor): 32°C/ 23 °C		Max.running temperature(heating):	Dry/Wet ball(indoor): ---	
	Dry/Wet ball(outdoor): 43 °C/ 26 °C			Dry/Wet ball(outdoor): ---	

ELECTRICAL CONTROL

1. Run mode: (Tr: inlet air temperature, Ts: the set temperature)

1.1 automatic run mode

The background lighting of the LCD is white

1) cooling only type automatic run mode:

When the system runs under "automatic" mode for the first time, it will determine the operating mode according to the follows,

$Tr \geq Ts + 3^{\circ}\text{C}$ Choose Cooling mode

$Tr < Ts - 3^{\circ}\text{C}$ Choose Blowing Mode

The system will shift its operating mode between the above mentioned two to changes of the indoor temperature. If the system is currently under cooling mode, it will switch to blowing mode when $Tr < Ts - 3^{\circ}\text{C}$; if the system is currently under blowing mode, it will in turn switch to cooling mode when $Tr > Ts + 3^{\circ}\text{C}$. The switching mode as below,

1.2 Cooling run mode: (Tr: inlet air temperature, Ts: the set temperature)

The background lighting of the LCD is blue

Temperature control range : $16^{\circ}\text{C} - 30^{\circ}\text{C}$

Temperature control precision: $\pm 1^{\circ}\text{C}$

Compressor can't be controlled by temperature sensor within 2 minutes after it starts.

Control character: when $Tr > Ts$, outdoor fan motor and compressor on, and indoor fan motor run at fixed wind speed. When $Tr < Ts$, outdoor fan motor and compressor off, and when $Tr > Ts$, outdoor fan motor and compressor are working again.

If $Tr = Ts$, the indoor fan motor, outdoor fan motor and the compressor's state will not change.

wind speed control: (the temperature difference is 1°C)

auto: when $Tr \geq Ts + 3^{\circ}\text{C}$, the wind speed is high;

when $Ts + 1^{\circ}\text{C} \leq Tr < Ts + 3^{\circ}\text{C}$, the wind speed is medium.

When $Tr < Ts + 1^{\circ}\text{C}$, the wind speed is low.

When temperature sensor is off, the fan motor runs at low speed.

when the wind speed changes from low to higher, there is no delay, and when it changes from high to lower, there is a 3-minutes delay before conversion.

Manual operation: When unit is on the wind speed can be set to high, medium, low or automatic as required (execute instruction 2 seconds later after receiving remote signal)

compressor control: The compressor can't be controlled by temperature sensor within 2 minutes after startup and can be only restarted at least 3 minutes later after shutdown. There is no 3-minute protection with power on for the first time (over 3 minutes with power off). The compressor must stand by for 3 minutes before it is restarted after shutdown.

There is no 2-minute limit when changing the temperature setting or shutting down the machine through the remote controller, and the machine can be shut down immediately.

Controlling the position of air door: set the position of air door as required.

Protection of frost is available : In order to prevent the indoor heat exchanger from freezing (in refrigeration or dehumidifying mode), the compressor will be shut off when the temperature of the indoor coil pipe is or below 0°C and the compressor runs for over 5 minutes. When the temperature of the indoor coil pipe ascends to over 7°C , the compressor is restarted (must meet a 3-minutes delay)

Timer on, Timer off and sleep control are available.

ELECTRICAL CONTROL

1.3 Dehumidifying mode: (Tr: inlet air temperature, Ts: the set temperature)

The background lighting of the LCD is aquamarine blue

Temperature control range : 16°C—30°C

Temperature control precision: $\pm 1^\circ\text{C}$

control character:

When Tr (indoor temperature) $>$ Ts (temperature setting) $+2^\circ\text{C}$, compressor and outdoor fan motor run continuously with indoor fan motor running in accordance with the wind speed setting.

When Tr ranges from Ts to Ts $+2^\circ\text{C}$, outdoor fan motor and compressor are on for 10 minutes and off for 6 minutes, the indoor fan motor is off in 3 minutes after shutdown of compressor and gives breeze in other time.

When Tr $<$ Ts, outdoor fan motor and compressor are unavailable, and the indoor fan motor enter breeze mode 3 minutes later after shut down of compressor.

When all the ranges alternate, there is $\pm 1^\circ\text{C}$ difference.

Wind speed control:

Automation: When Tr \geq Ts $+ 5^\circ\text{C}$, the wind speed is high.

When Ts $+3^\circ\text{C} \leq$ Tr $<$ Ts $+5^\circ\text{C}$, the wind speed is medium.

When Ts $+2^\circ\text{C} \leq$ Tr $<$ Ts $+3^\circ\text{C}$, the wind speed is low.

When Ts \leq Tr $<$ Ts $+2^\circ\text{C}$, the machine gives breeze intermittently.

When Tr $<$ Ts, the indoor fan motor is shut off. in 3 minutes

When Tr $<$ Ts, the machine gives breeze after 3 minutes

Manual operation: When the temperature sensor is off or the Indoor fan motor runs intermittently, the indoor fan motor can not be operated by hand (compelling automatic operation), along with

the indoor fan motor can be operated in cooling mode. While controlling fan motor by hand in cooling mode, the cooling ranges include wind speed setting and refrigeration range, others are the same as fan motor in automation mode.

compressor control: The compressor can't be controlled by temperature sensor in 2 minutes after startup and also can't be started again at least 3 minutes later after shutdown. There are 3-minutes protection with power on for the first time (over 3 minutes with power off). The compressor must be started again 3 minutes later after shutdown.

There is no 2-minutes limit when changing the temperature setting or shutting off the machine through the remote controller, and the machine can be shut down immediately.

Controlling the position of air door: set the position of air door as required.

Protection of frost is available (disable in test run): In order to prevent the indoor heat exchanger from freezing (in refrigeration or dehumidifying mode), the compressor will be shut off when the temperature of the indoor coil pipe is or below 0°C and the compressor runs for over 5 minutes. When the temperature of the indoor coil pipe ascends to over 7°C , the compressor is restarted (must meet a 3-minutes delay)

Timer on, Timer off and sleep control are available.

ELECTRICAL CONTROL

2.Control function:

2.1 Timer function: You can set 24-hour timer on or timer off as required, and the minum time unit is 1 minute. After setting, a pattern of clock displaied on the LCD, and it is off when timer setting is completed. There are several timer mode as follows.

- Timer on: The pattern of clock displaied on the LCD,the background light is off, and unit behaves with halt status. Timer on is completed, and then unit starts running with the pattern of clock disappeared,and the background light is on. The unit starts with the last setting receiving timer signals, and sleep setting is not allowed.
- Timer off: Unit working, the pattern of clock displaied on the LCD; When reaching time setting, unit enters shutdown mode, and sleep function can be set. If timer off and sleep are set synchronously, the one which time is short run first. Executing shutdown instruction clear timer and sleep function.
- Timer on and timer off can be set synchronously. when they are completed,

2.2 Sleep function (saving function at night):. The pattern of moon and star displaied on the LCD

- In cooling/defrosting mode, the temp. setting increases 1one hour later after startup. After another hour the temp. setting increase by more 1°C and then run continuously for another 6 hours and then close.
- If the wind speed is set to high or medium before going to bed, the wind speed shifts to medium or low. If the wind speed is set to low before going to bed, the wind speed keep unchanged.

2.3 Protection of malfunction of temperature sensitive resistance.

- The temperature sensitive resistor is short circuit or open circuit, the machine doesn't work.
- During defrosting, don't detect if the temperature sensor short circuit or open circuit.
- Detect the temperature of coil pipe is below -40°C . then think the temperation circuit of coil pipe is open.
- Detect the temperature of coil pipe is above 95°C .then think the temperation circuit of coil pipe is short .
- Detect the temperature of inlet air is below -20°C .then think the temperation circuit of inlet air is open.
- Detect the temperature of inlet air is above 90°C . then think the temperation circuit of inlet air is short.

2.4 Emergency switch input:

- Press the switch of emergency operation, then buzzer rings once and unit enters the automatic operation mode. (emergency operation)

ELECTRICAL CONTROL

- If the switch is kept pressed for 5 seconds, buzzer ring two times and unit enter enter test run mode.
- Press the switch again, and then closes.
- The unit can receive remote control.
- Enter emergency operation from timer mode, then timer is cancelled.
- Test run:
 - 1) The temperature sensor of inlet air doesn't work, and compressor starts (but subject to the limit of 3 minute delay excluding the first time), and high wind, cooling, and air door is open. The indoor fan motor runs, running indicator lights up, compressor relay and the one of outdoor fan motor is closed
 - 2) During test run:
 - The prevention of freezing of evaporator doesn't work.
 - Over current control doesn't work.
 - The control of current peak expiration doesn't work.
 - Temperature control doesn't work.
 - Temperature expiration control doesn't work.
 - The test run is over after 30 minutes, then the unit turn off

2.5 Executive function after 2 seconds by remoter control:

After receiving remote control signal, the mainboard doesn't enter the corresponding instruction task until 2 seconds elapse.

- The memory function of power down is available, and the auto recovery function of power on is optional. (In auto, heating, cooling, or defrosting status, press the "sleeping" button 10 times within 5 seconds, and the auto recovery function of power on can be set on/off. If the buzzer rings 4 times, the the auto recovery function of power on is available; If the buzzer rings 2 times, the the auto recovery function of power on is unavailable.)




2.6 Alarm from indoor fan motor: 120 seconds later after the indoor fan motor is charged, and the impulse from fan motor is not detected, then stop outputting voltage to indoor fan motor, send alarm signals.

3. express mode of malfunction:

MODEL	PCB number	The SW2 Select "25"OR"35"
HSU-09LV03	0010404300	25
HSU-12LV03	0010404300	35

TROUBLE SHOOTING

Before asking for service, check the following first.

	Phenomenon	Cause or check points
Normal Performance inspection	<p>The system does not restart immediately.</p> 	<ul style="list-style-type: none"> • When unit is stopped, it won't restart immediately until 3 minutes have elapsed to protect the system. • When the electric plug is pulled out and reinserted, the protection circuit will work for 3 minutes to protect the air conditioner.
	<p>Noise is heard:</p> 	<ul style="list-style-type: none"> • During unit operation or at stop, a swishing or gurgling noise may be heard. At first 2-3 minutes after unit start, this noise is more noticeable. (This noise is generated by refrigerant flowing in the system.) • During unit operation, a cracking noise may be heard. This noise is generated by the casing expanding or shrinking because of temperature changes. • Should there be a big noise from air flow in unit operation, air filter may be too dirty.
	<p>Smells are generated.</p>	<ul style="list-style-type: none"> • This is because the system circulates smells from the interior air such as the smell of furniture, cigarettes.
	<p>Mist or steam are blown out.</p>	<ul style="list-style-type: none"> • During COOL or DRY operation, indoor unit may blow out mist. This is due to the sudden cooling of indoor air.
Multiple check	<p>Does not work at all.</p>	<ul style="list-style-type: none"> • Is power plug inserted? • Is there a power failure? • Is fuse blown out?
	<p>Poor cooling</p> 	<ul style="list-style-type: none"> • Is the air filter dirty? Normally it should be cleaned every 15 days. • Are there any obstacles before inlet and outlet? • Is temperature set correctly? • Are there some doors or windows left open? • Is there any direct sunlight through the window during the cooling operation?(Use curtain) • Are there too much heat sources or too many people in the room during cooling operation?

TROUBLE SHOOTING

Error code of indoor display	reasons	ways and means	solutions	tools
E1	Indoor temp.Sensor is shorted out or opened circuit	Check the sensor of indoor ambient temperatrue,if the resistance value is 0 or ∞ , the sensor is abnormal	Change the sensor	Multimeter
E2	Temp. sensor of heat exchanging is shorted out or opened circuit	Check the sensor of indoor coilpipe,if the resistance value is 0 or ∞ , the sensor is abnormal	Change the sensor	Multimeter
E4	Data error or no EEPROM	Check whether the EEPROM is installed properly	Change the EEPROM	Multimeter and electriciron
E14	Indoor fan motor dont' feed back	Check whether indoor motor has 80~170V voltage,if it has,wiring board is normal,then check whether the optical SCR is good,replace it if it has flaw;else check whether there are something wrong with connecting line,indoor fan motor cpacitor and coil assembly	Change the capacitor or optical SCR or connecting line or indoor PCB	Multimeter

INSTALLATION


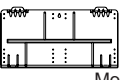




- Read this manual before installation
- Explain sufficiently the operating means to the user according to this manual.

Necessary Tools for Installation

- | | | | |
|---------------------------|---------------------------------|--|-----------|
| 1.Driver | 5.Torque wrench(17mm,22mm,26mm) | 9.Nipper | 12.Reamer |
| 2.Hacksaw | 6.Pipe cutter | 10.Gas leakage detector or soap-and-water solution | |
| 3.Hole core drill | 7.Flaring tool | 11.Measuring tape | |
| 4.Spanner(17,19 and 26mm) | 8.Knife | | |

Drawing for the installation of indoor and outdoor units

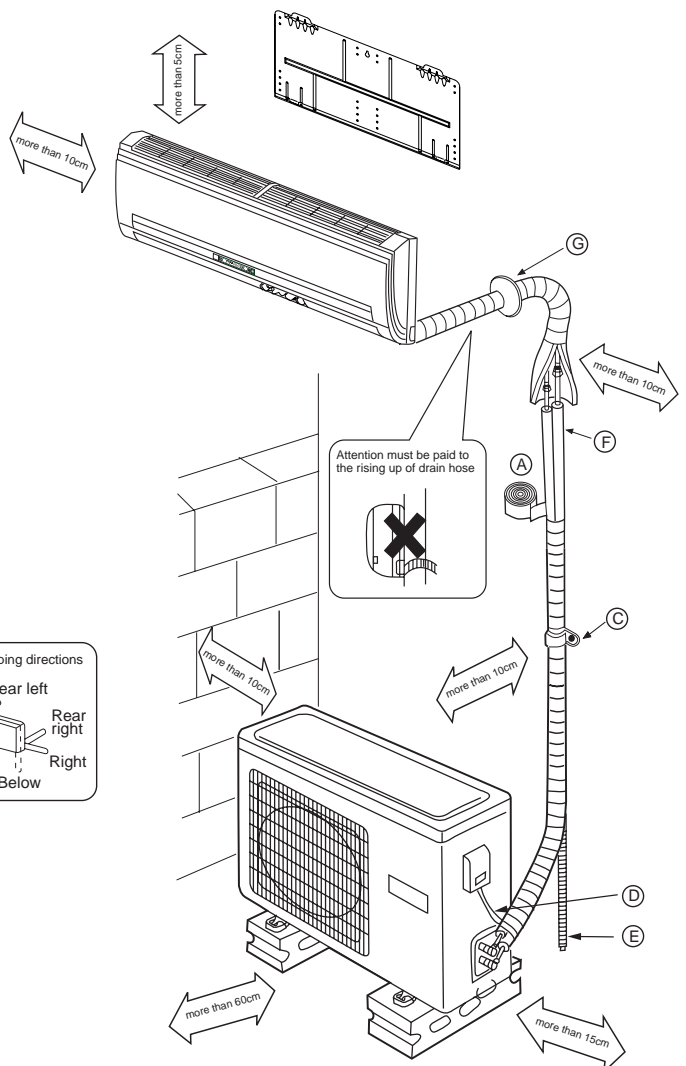
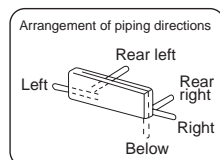
Accessory parts

No.	Accessory parts	Number of articles
①	Remote controller	1
②	 R-03 dry battery	2
③	 Mounting plate	1
④	 Drain hose	1
⑤	 $\phi 4 \times 25$ Screw Plastic cap	4
⑥	 Drain-elbow	1
⑦	 Cushion	4

Optional parts for piping

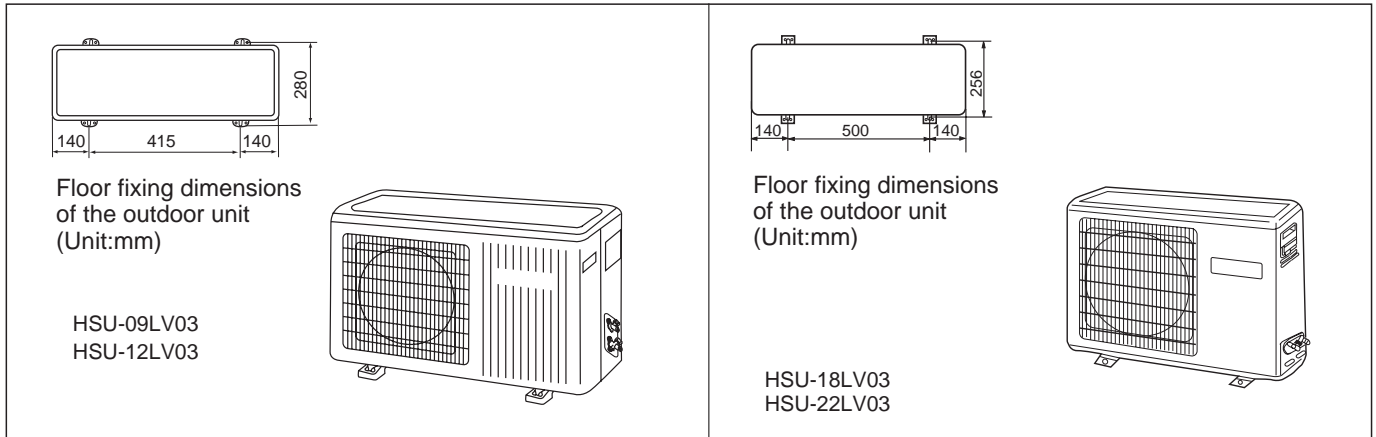
Mark	Parts name
(A)	Non-adhesive tape
(B)	Adhesive tape
(C)	Saddle(L.S) with screws
(D)	Connecting electric cable for indoor and outdoor
(E)	Drain hose
(F)	Heating insulating material
(G)	Piping hole cover

Note: Cooling only units don't have Drain-elbow



- ※ The marks from (A) to (G) in the figure are the parts numbers.
- ※ The distance between the indoor unit and the floor should be more than 2m.

INSTALLATION



Fixing of outdoor unit

- Fix the unit to concrete or block with bolts ($\phi 10\text{mm}$) and nuts firmly and horizontally.
- When fitting the unit to wall surface, roof or rooftop, fix a supporter surely with nails or wires in consideration of earthquake and strong wind.
- If vibration may affect the house, fix the unit by attaching a vibration-proof mat.

Indoor Unit

Selection of Installation Place

Outdoor Unit

- Place, robust not causing vibration, where the body can be supported sufficiently.
- Place, not affected by heat or steam generated in the vicinity, where inlet and outlet of the unit are not disturbed.
- Place, possible to drain easily, where piping can be connected with the outdoor unit.
- Place, where cold air can be spread in a room entirely.
- Place, nearby a power receptacle, with enough space around. (Refer to drawings).
- Place where the distance of more than 1m from televisions, radios, wireless apparatuses and fluorescent lamps can be left.
- In the case of fixing the remote controller on a wall, place where the indoor unit can receive signals when the fluorescent lamps in the room are lightened.
- Place, which is less affected by rain or direct sunlight and is sufficiently ventilated.
- Place, possible to bear the unit, where vibration and noise are not increased.
- Place, where discharged wind and noise do not cause a nuisance to the neighbors.
- Place, where a distance marked \leftrightarrow is available as illustrated in the above figure.

Power Source

- Before inserting power plug into receptacle, check the voltage without fail. The power source is the same as the corresponding name plate.
- Install an exclusive branch circuit of the power.
- A receptacle shall be set up in a distance where the power cable can be reached. Do not extend the cable by cutting it.

Selection of pipe

- To this unit, both liquid and gas pipes shall be insulated as they become low temperature in operation.
- Use optional parts for piping set or pipes covered with equivalent insulation material.
- The thickness of the pipe must be 0.8 mm at least.

	For ,09,12	For 12,18,	For 22
Liquid pipe(ϕ)	6.35mm(1/4")	6.35mm(1/4")	6.35mm(1/4")
Gas pipe(ϕ)	9.52mm(3/8")	12.7mm(1/2")	15.88mm(5/8")

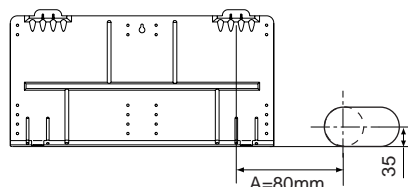
INSTALLATION

Indoor unit

1. Fitting of the Mounting Plate and Positioning of the wall Hole

When the mounting plate is first fixed

1. Carry out, based on the neighboring pillars or lintels, a proper leveling for the plate to be fixed against the wall, then temporarily fasten the plate with one steel nail.
2. Make sure once more the proper level of the plate, by hanging a thread with a weight from the central top of the plate, then fasten securely the plate with the attachment steel nail.
3. Find the wall hole location A using a measuring tape



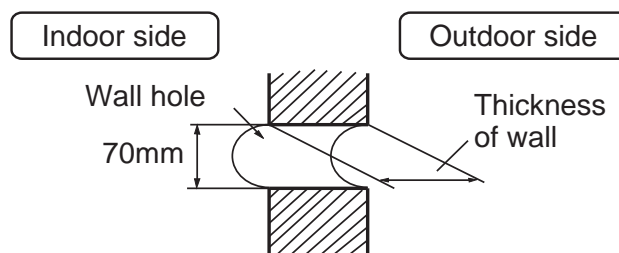
Fit the level line

When the mounting plate is fixed side bar and lintel

- Fix to side bar and lintel a mounting bar, which is separately sold, and then fasten the plate to the fixed mounting bar.
- Refer to the previous article, " **When the mounting plate is first fixed** ", for the position of wall hole.

2. Making a Hole on the Wall and Fitting the Piping Hole Cover

- Make a hole of 70 mm in diameter, slightly descending to outside the wall.
- Install piping hole cover and seal it off with putty after installation



(Section of wall hole) Ⓒ Piping hole pipe

3. Installation of the Indoor Unit

Drawing of pipe

[Rear piping]

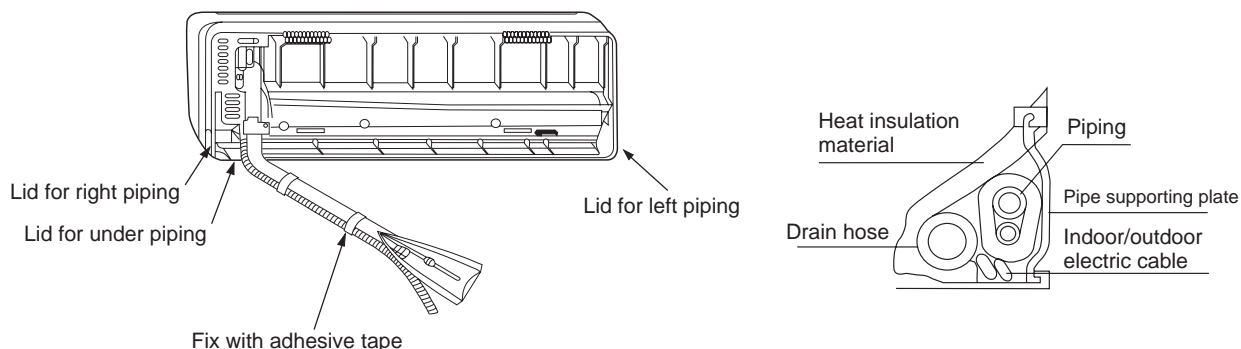
- Draw pipes and the drain hose, then fasten them with the adhesive tape

[Left • Left-rear piping]

- In case of left side piping, cut away, with a nipper, the lid for left piping.
- In case of left-rear piping, bend the pipes according to the piping direction to the mark of hole for left-rear piping which is marked on heat insulation materials.

INSTALLATION

1. Insert the drain hose into the dent of heat insulation materials of indoor unit.
2. Insert the indoor/outdoor electric cable from backside of indoor unit, and pull it out on the front side, then connect them.
3. Coat the flaring seal face with refrigerant oil and connect pipes.
Cover the connection part with heat insulation materials closely, and make sure fixing with adhesive tape



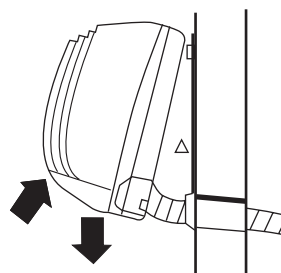
- Indoor/outdoor electric cable and drain hose must be bound with refrigerant piping by protecting tape.

[Other direction piping]

- Cut away, with a nipper, the lid for piping according to the piping direction and then bend the pipe according to the position of wall hole. When bending, be careful not to crash pipes.
- Connect beforehand the indoor/outdoor electric cable, and then pull out the connected to the heat insulation of connecting part specially.

Fixing the indoor unit body

- Hang surely the unit body onto the upper notches of the mounting plate. Move the body from side to side to verify its secure fixing.
- In order to fix the body onto the mounting plate, hold up the body aslant from the underside and then put it down perpendicularly.



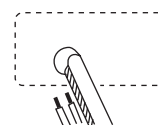
4. Connecting the indoor/outdoor Electric Cable

Removing the wiring cover

- Remove terminal cover at right bottom corner of indoor unit, then take off wiring cover by removing its screws.

When connecting the cable after installing the indoor unit

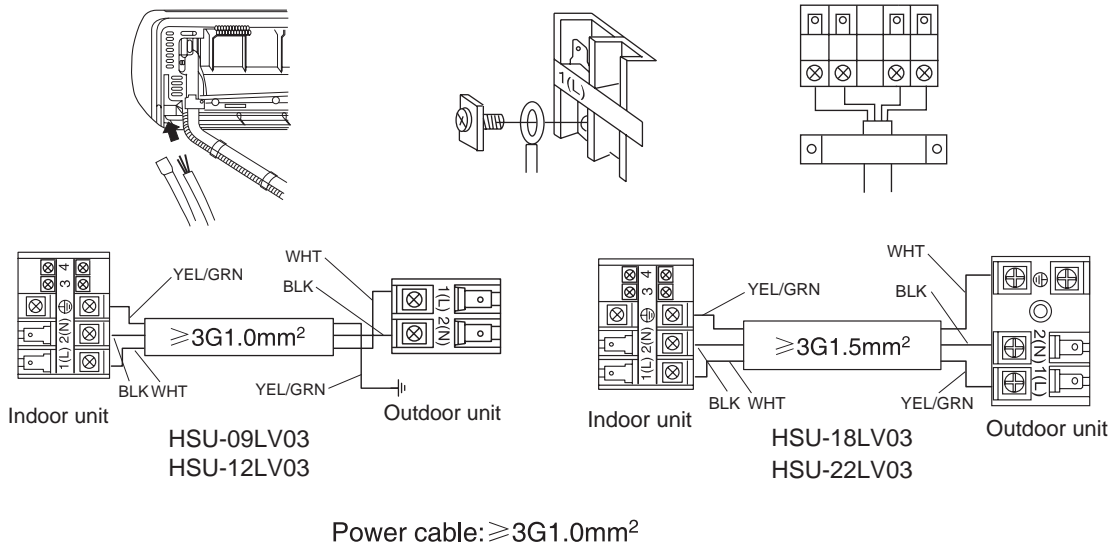
1. Insert from outside the room cable into left side of the wall hole, in which the pipe has already existed.
2. Pull out the cable on the front side, and connect the cable making a loop.



INSTALLATION

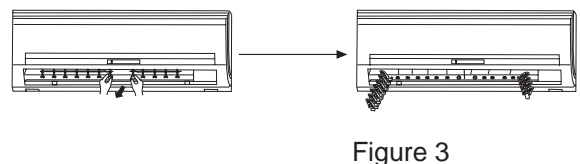
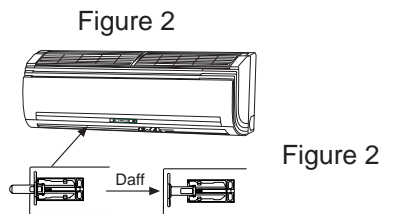
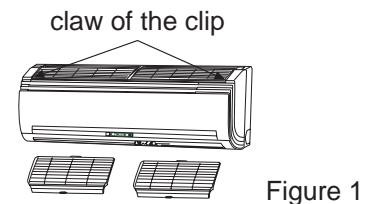
When connecting the cable before installing the indoor unit

- Insert the cable from the back side of the unit, then pull it out on the front side.
 - Loosen the screws and insert the cable ends fully into terminal block, then tighten the screws.
 - Pull the cable slightly to make sure the cables have been properly inserted and tightened.
 - After the cable connection, never fail to fasten the connected cable with the wiring cover.
- Note: When connecting the cable, confirm the terminal number of indoor and outdoor units carefully. If wiring is not correct, proper operation can not be carried out and will cause defect.
1. If the supply cord is damaged, it must be replaced by the manufacturer or its service agent or a similar qualified person. The type of connecting wire is H05RN-F or H07RN-F.
 2. If the fuse on PC board is broken please change it with the type of T. 3.15A/250V.
 3. The wiring method should be in line with the local wiring standard.
 4. After installation, the power plug should be easily reached.
 5. A breaker should be incorporated into fixed wiring. The breaker should be all-pole switch and the distance between its two contacts should be not less than 3mm.



5. Easily-demount cleaning of indoor unit

1. Top inlet can be taken down
Open the inlet grille, press the claw of the clip on the unit, then take down the top inlet. (according to figure 1)
2. Vertical flap can be taken down
Overturn the vertical flap, press the claw of the clip, then take down vertical flap. (according to figure 2)
3. Horizontal louvers can be taken down
After taking down vertical flap, horizontal louvers are appeared, draw the middle louver, and take down the horizontal louvers. (according to figure 3)



INSTALLATION

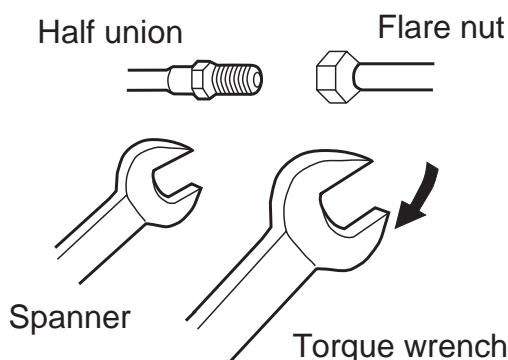
Outdoor unit

1. Installation of Outdoor Unit

Install according to Drawing for the installation of indoor and outdoor units

2. Connection of pipes

- To bend a pipe, give the roundness as large as possible not to crush the pipe
- Connecting the pipe of gas side first makes working easier.
- The max vertical distance between the indoor unit and the outdoor unit is 5 m.



Forced fastening without careful centering may damage the threads and cause a leakage of gas.

Pipe Diameter (ϕ)	Fastening torque
Liquid side 6.35mm(1/4")	18N.m
Gas side 9.52mm(3/8")	40N.m
Gas side 12.7mm(1/2")	55N.m

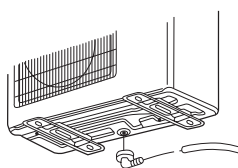
Be careful that matters, such as wastes of sands, etc. shall not enter the pipe.

3. Connection

- Use the same method on indoor unit. Loosen the screws on terminal block and insert the plugs fully into terminal block, then tighten the screws.
- Insert the cable according to terminal number in the same manner as the indoor unit.
- If wiring is not correct, proper operation can not be carried out and controller may be damaged.
- Fix the cable with a clamp.

4. Attaching Drain-Elbow

- If the drain-elbow is used, please attach it as figure. (Note: Only for heat pump unit.)



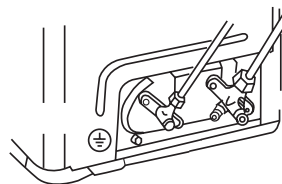
INSTALLATION

6.Purging Method:To use vacuum pump

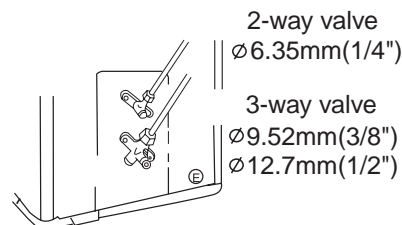
Push the air out of the indoor unit and piping as follows:

- (1) Remove the valve cap on 2-way valve in outdoor unit.
- (2) Loosen by 1/2 turn the flare nut of gas pipe, which is conneted to 3-way valve.
- (3) Loosen 2-way valve by 90° using hexagon wrench, and after approx. 10 sec tighten it up. Gas comes out through flare nut on wide pipe. If no gas is discharged, tighten flare nut with specified torque.
- (4) Open 2-way and 3-way valves using specified torque.
- (5) Tighten the caps on the valves with specified torque.

3-way valve
 2-way valve \varnothing 12.7mm(1/2")
 \varnothing 6.35mm(1/4") \varnothing 15.88mm(5/8")



HSU-18LV03
 HSU-22LV03



HSU-09LV03
 HSU-12LV03
 HSU-09HV03
 HSU-12HV03

	Tighten torque N.m
Valve rod	7-9
Valve cap	20-25

- When connecting pipe exceeds 5 meters, 16g refrigerant shall be added per exceeding meter. Charge according to the following list.

Piping length	5m	7m	10m
Additional amount	No need	32g	80g

- Note: When extending piping, air inside piping shall be removed by using external refrigerant gas, charge according to the following list.

Brand new outdoor unit is charged 50g or 80g(only for 22k unit) more refrigerant than regulated weight. Only for first installation, this extra 50g or 80g(only for 22k unit) can be used to purge air in pipes.

- ★ 1) During this procedure, 50g or 80g(only for 22k and 24k unit) refrigerant will be discharged in piping. (This must be strictly controlled within 90° and 10 sec.)

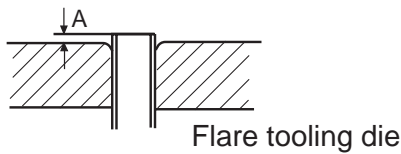
INSTALLATION

1. Power Source Installation

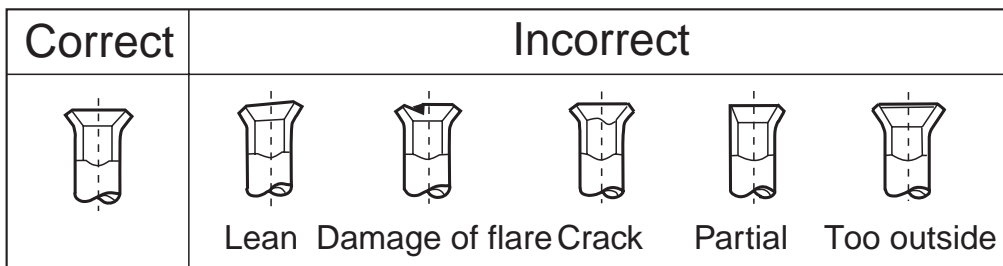
- The power source must be exclusively used for air conditioner. (Over 10A)
- In the case of installing an air conditioner in a moist place, please install an earth leakage breaker.
- For installation in other places, use a circuit breaker as far as possible.

2. Cutting and Flaring Work of Piping

- Pipe cutting is carried out with a pipe cutter and burs must be removed.
- After inserting the flare nut, flaring work is carried out.

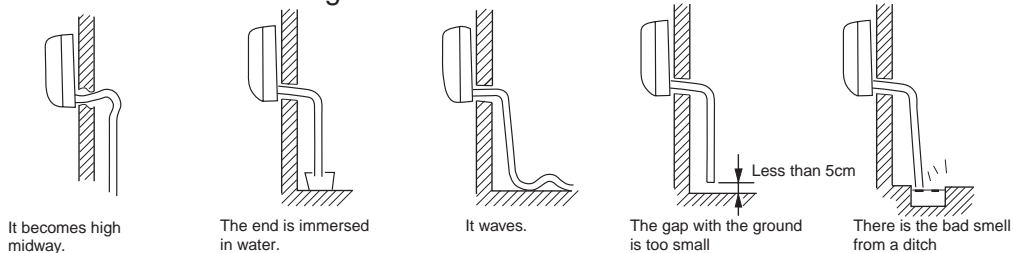


	Pipe diameter(ϕ)	Size A(mm)
Liquid side	6.35mm(1/4")	0.8~1.5
Gas side	9.52mm(3/8")	1.0~1.8
Gas side	12.7mm(1/2")	1.2~2.0
Gas side	15.88mm(5/8")	1.4~2.2



3. On Drainage

Please install the drain hose so as to be downward slope without fail.
Please don't do the drainage as shown below.



- Please pour water in the drain pan of the indoor unit, and confirm that drainage is carried out surely to outdoor.
- In case that the attached drain hose is in a room, please apply heat insulation to it without fail.

Check for Installation and Test Run

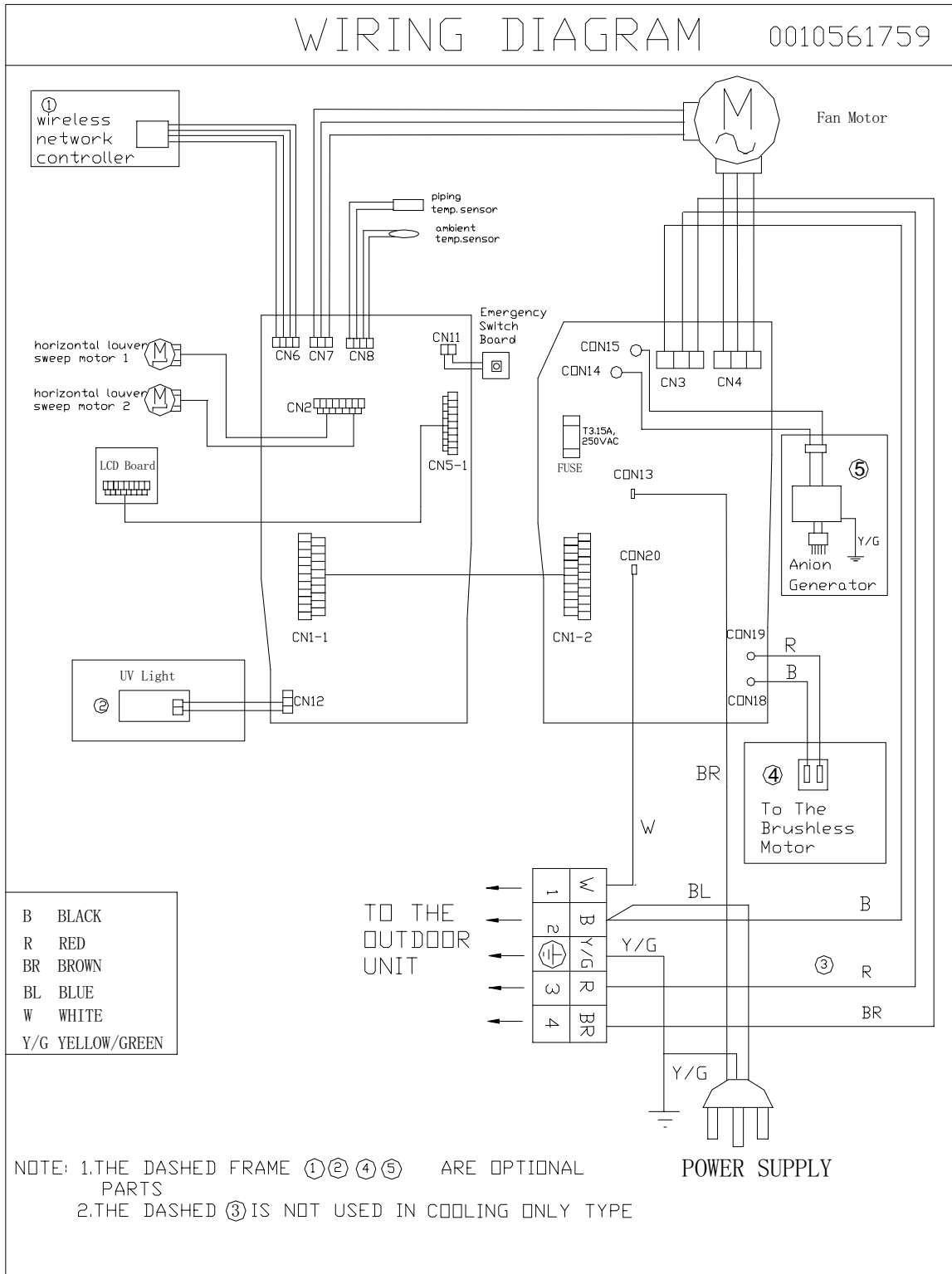
- Please kindly explain to our customers how to operate through the instruction manual.

Check Items for Test Run

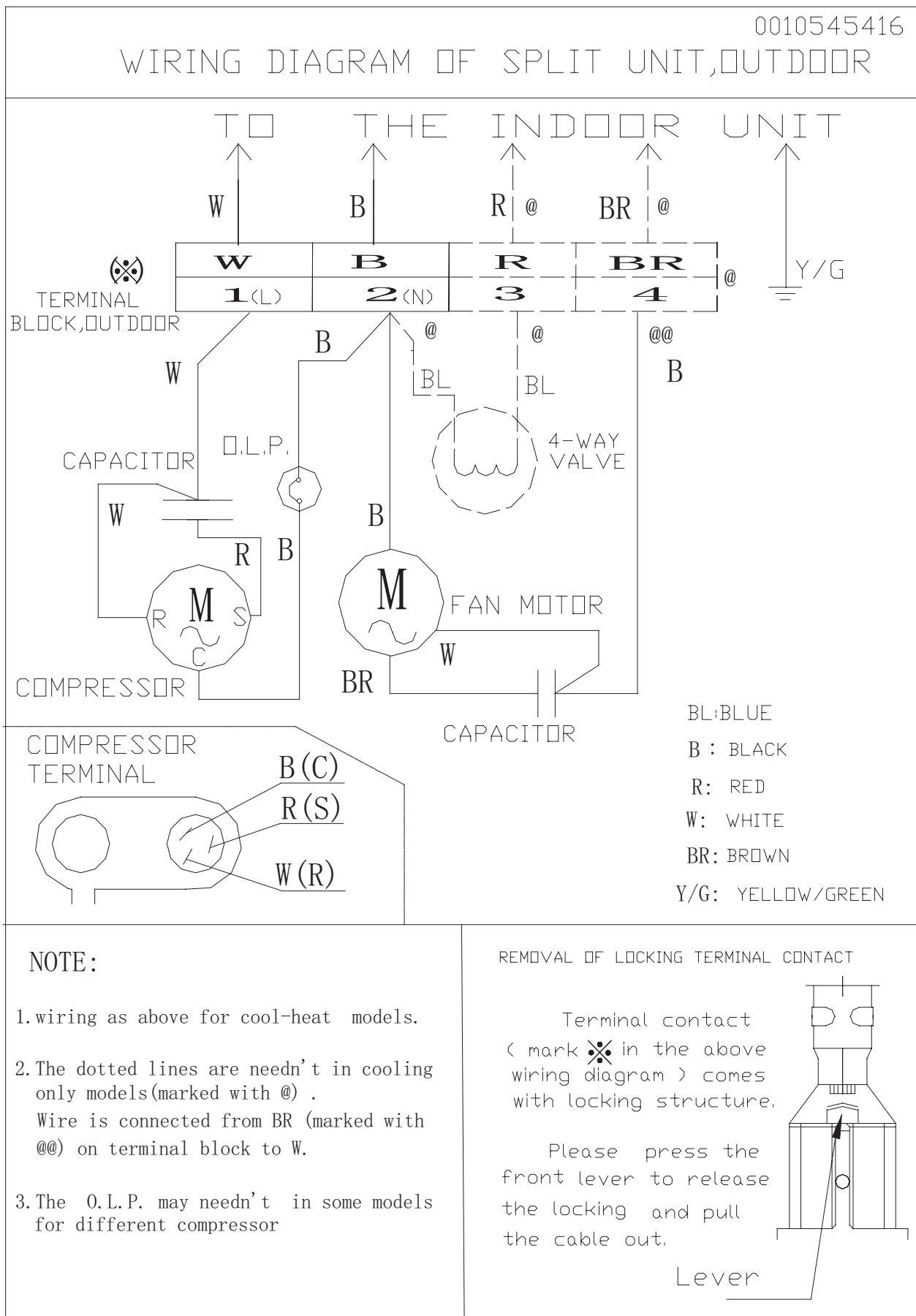
Put check mark \checkmark in boxes

- | | | |
|--|--|--|
| <input type="checkbox"/> Gas leak from pipe connecting? | <input type="checkbox"/> Is drainage securely carried out? | <input type="checkbox"/> Is the lamp normally lighting? |
| <input type="checkbox"/> Heat insulation of pipe connecting? | <input type="checkbox"/> Is the earth line securely connected? | <input type="checkbox"/> Are cooling and heating (when in heat pump) performed normally? |
| <input type="checkbox"/> Are the connecting wirings of indoor and outdoor firmly inserted to the terminal block? | <input type="checkbox"/> Is the indoor unit securely fixed? | <input type="checkbox"/> Is the operation of room temperature regulator normal? |
| <input type="checkbox"/> Is the connecting wiring of indoor and outdoor firmly fixed? | <input type="checkbox"/> Is power source voltage abided by the code? | |
| | <input type="checkbox"/> Is there any noise? | |

WIRING DIAGRAM



WIRING DIAGRAM



THERMISTER RESISTANCE CHART

room temperature sensor

T(°C)	R(KΩ)
-20	251.8
-19	236.9
-18	223.1
-17	210.1
-16	197.9
-15	186.5
-14	175.9
-13	165.9
-12	156.5
-11	147.7
-10	139.5
-9	131.8
-8	124.5
-7	117.7
-6	111.3
-5	105.3
-4	99.63
-3	94.3
-2	89.3
-1	84.58
0	80.14
1	75.96
2	72.02
3	68.31
4	64.81
5	61.51
6	58.39
7	55.45
8	52.68
9	50.06
10	47.58
11	45.24
12	43.02
13	40.93
14	38.95
15	37.08
16	35.31
17	33.63
18	32.04
19	30.53

THERMISTER RESISTANCE CHART

21	27.75
22	26.47
23	25.25
24	24.1
25	23.00
26	21.96
27	20.97
28	20.03
29	19.14
30	18.3
31	17.49
32	16.73
33	16
34	15.3
35	14.65
36	14.02
37	13.42
38	12.85
39	12.31
40	11.79
41	11.3
42	10.83
43	10.39
44	9.96
45	9.553
46	9.165
47	8.794
48	8.441
49	8.103
50	7.78
51	7.472
52	7.178
53	6.897
54	6.628
55	6.371
56	6.125
57	5.889
58	5.664
59	5.449
60	5.243
61	5.046
62	4.857

THERMISTER RESISTANCE CHART

64	4.502
65	4.336
66	4.177
67	4.024
68	3.878
69	3.738
70	3.603
71	3.474
72	3.35
73	3.231
74	3.117
75	3.008
76	2.903
77	2.802
78	2.705
79	2.611
80	2.522

INDOOR PIPE TEMPERATURE SENSOR

T(°C)	R(K Ω)
-20	87.42
-19	82.71
-18	78.29
-17	74.12
-16	70.21
-15	66.52
-14	63.06
-13	59.79
-12	56.71
-11	53.81
-10	51.08
-9	48.5
-8	46.07
-7	43.77
-6	41.6
-5	39.55
-4	37.62

THERMISTER RESISTANCE CHART

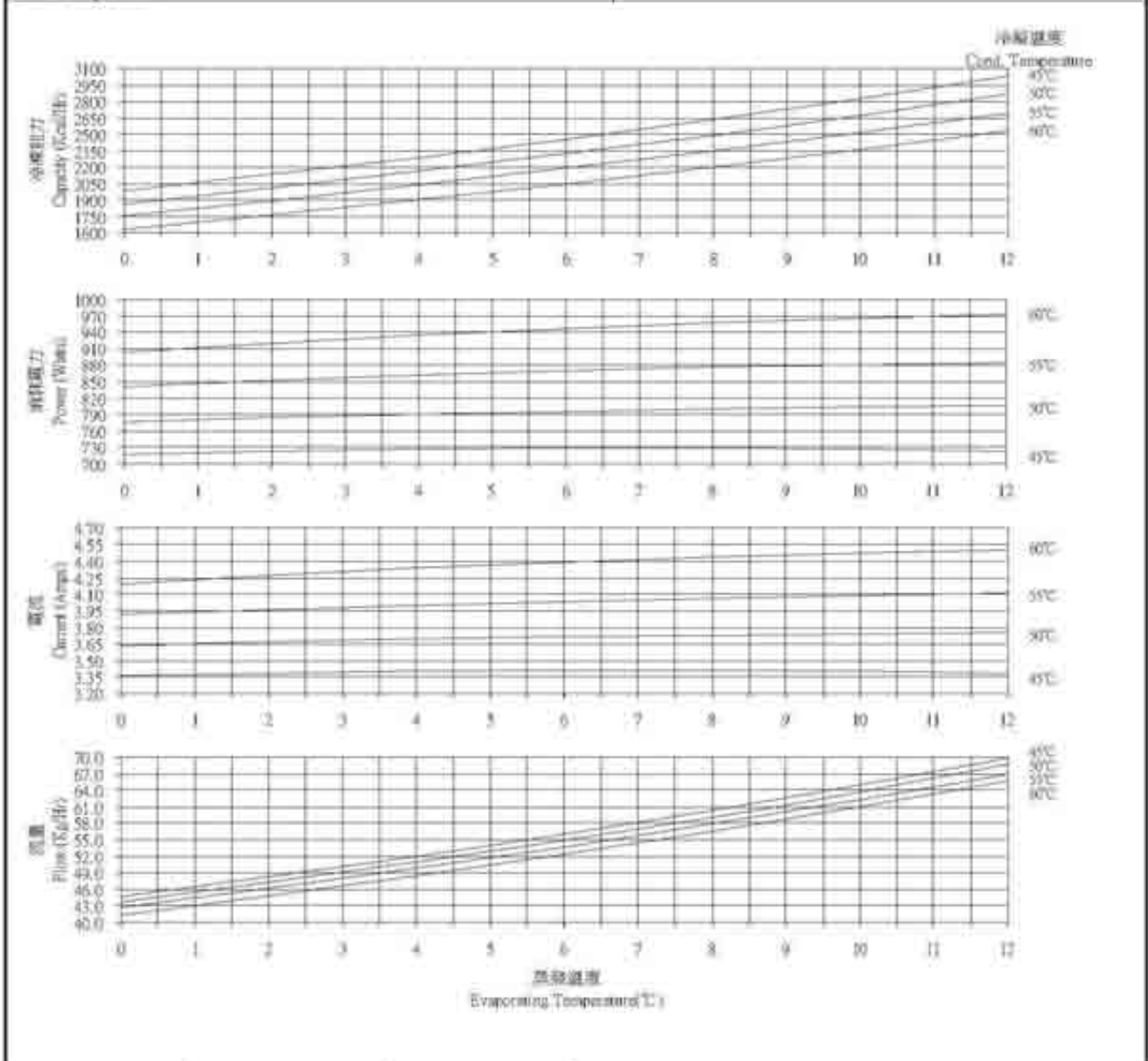
-2	34.06
-1	32.43
0	30.88
1	29.42
2	28.03
3	26.72
4	25.48
5	24.3
6	23.18
7	22.12
8	21.12
9	20.17
10	19.26
11	18.4
12	17.59
13	16.81
14	16.08
15	15.38
16	14.71
17	14.08
18	13.48
19	12.91
20	12.36
21	11.84
22	11.35
23	10.88
24	10.43
25	10.00
26	9.592
27	9.204
28	8.833
29	8.479
30	8.141
31	7.819
32	7.511
33	7.217
34	6.936
35	6.668
36	6.411
37	6.166
38	5.931
39	5.707

THERMISTER RESISTANCE CHART

41	5.287
42	5.09
43	4.902
44	4.722
45	4.549
46	4.383
47	4.225
48	4.073
49	3.927
50	3.788
51	3.654
52	3.525
53	3.402
54	3.283
55	3.17
56	3.061
57	2.956
58	2.855
59	2.759
60	2.666
61	2.577
62	2.491
63	2.408
64	2.329
65	2.253
66	2.179
67	2.108
68	2.04
69	1.975
70	1.912
71	1.851
72	1.793
73	1.737
74	1.682
75	1.68
76	1.58
77	1.531
78	1.484
79	1.439
80	1.395

COMPRESSOR PERFORMANCE DIAGRAM

附件 3. 性能曲線圖 Appendix 3. Performance Curve		吸入溫度 Return Gas Temperature	35°C
機型 Model	44R233C	過冷度 Subcooling	8.3°C
電源 Power Supply	220V / 50Hz / 1PH	周圍溫度 Ambient Temperature	35°C
運轉電容 Run Capacitor	25 μ F / 370 VAC		



承認 APPROVED	審查 CHECKED	製成 DRAFTED	瑞智精密股份有限公司 RECHI PRECISION CO., LTD	
			圖名 Dwg. Name	圖號 Dwg. No.
			性能曲線圖	44R233C

SOUND PRESSURE LEVEL

INDOOR: 37.8 dB(A)

OUTDOOR: 50.8 dB(A)

NOTE:

The sound pressure level is based on the following conditions:

1 meter above the discharge grille and 1 meter from the front side.

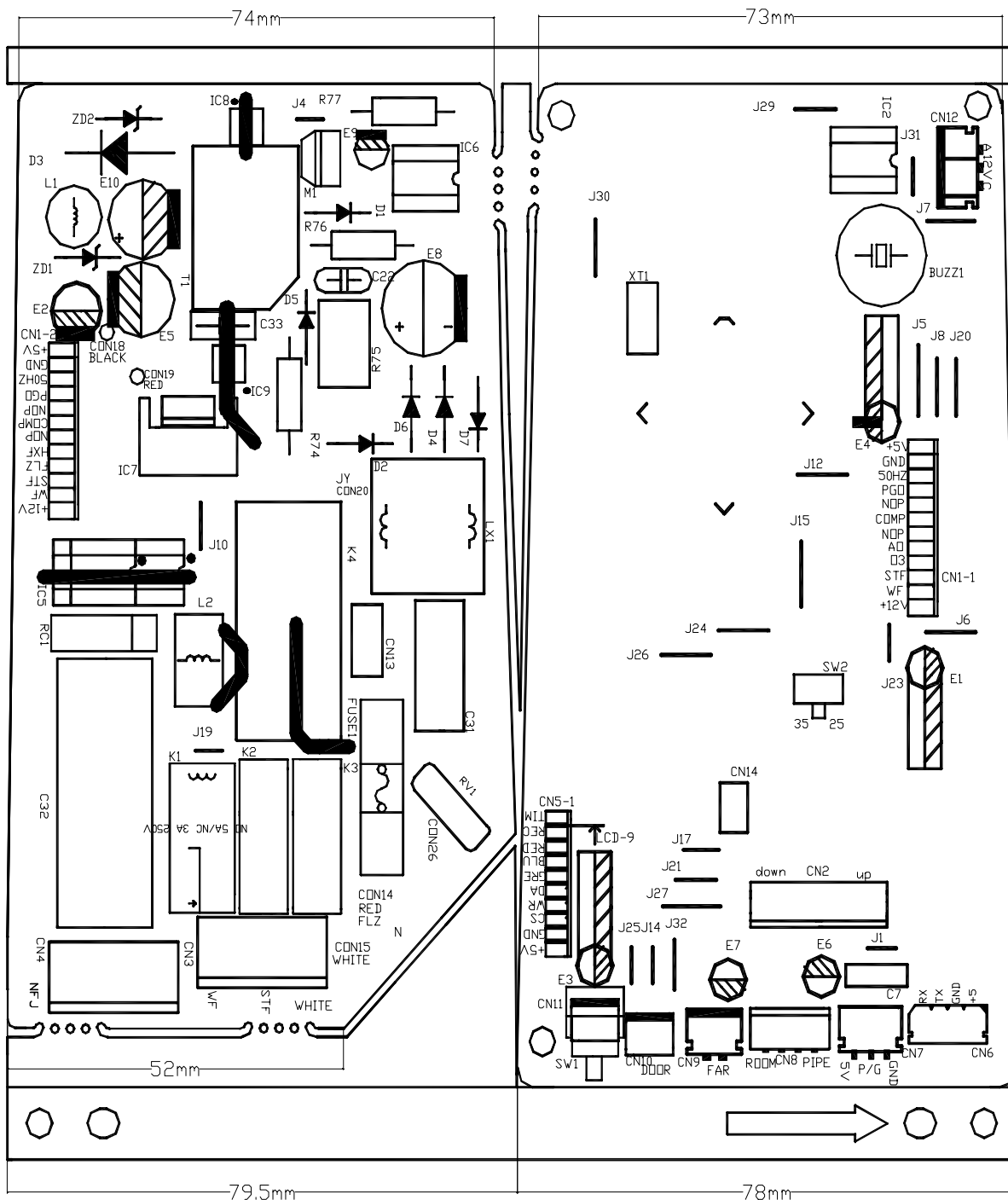
Voltage of the power source for the indoor fan motor is 220V.

In case of the power source of 240V, the sound pressure level increases by about 1 dB.

The above data was measured in an anechoic chamber so that reflected sound should be taken into consideration when installing the unit.

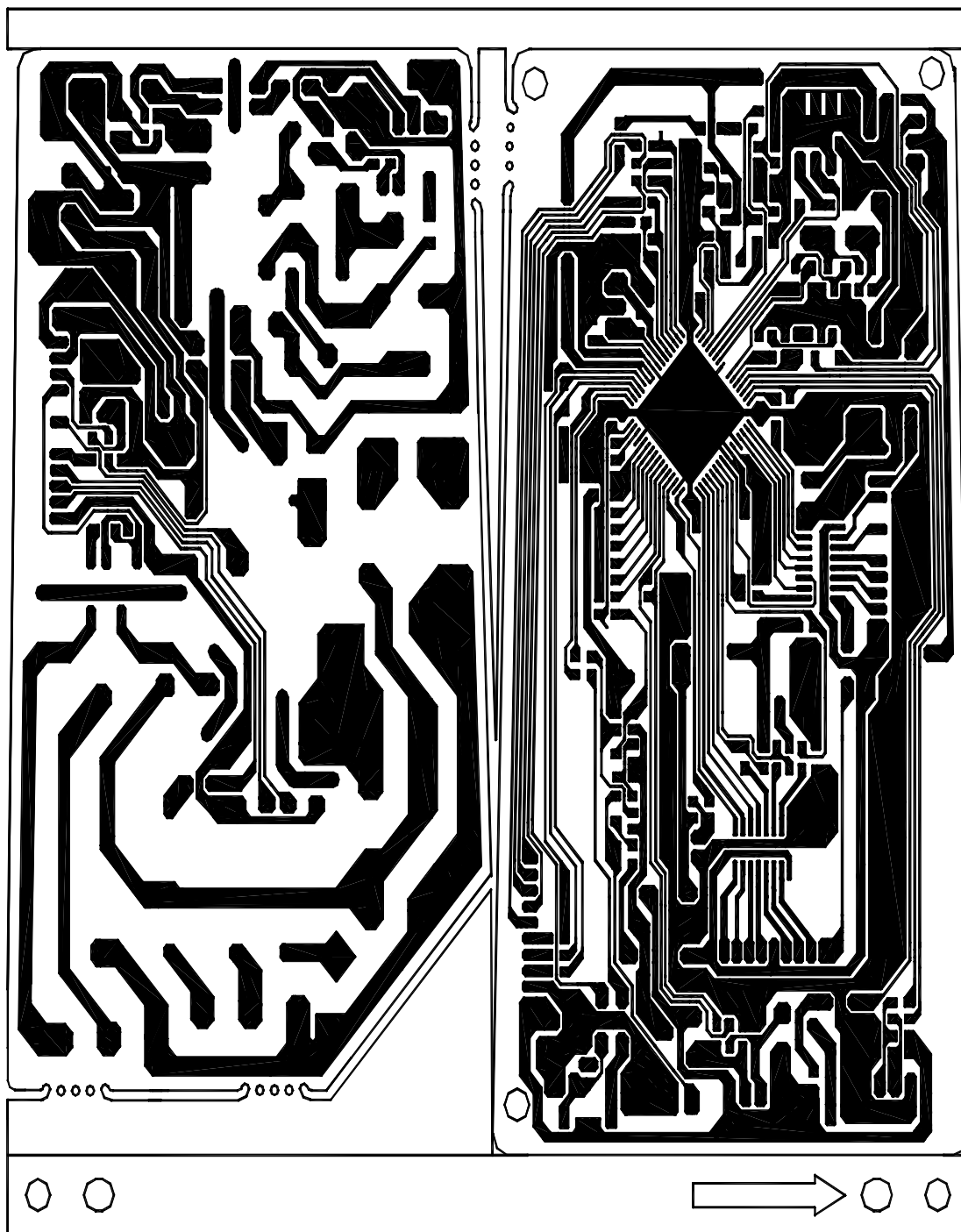
SCHEMATIC DIAGRAM OF PCB

TOP SILK SCREEN VIEW



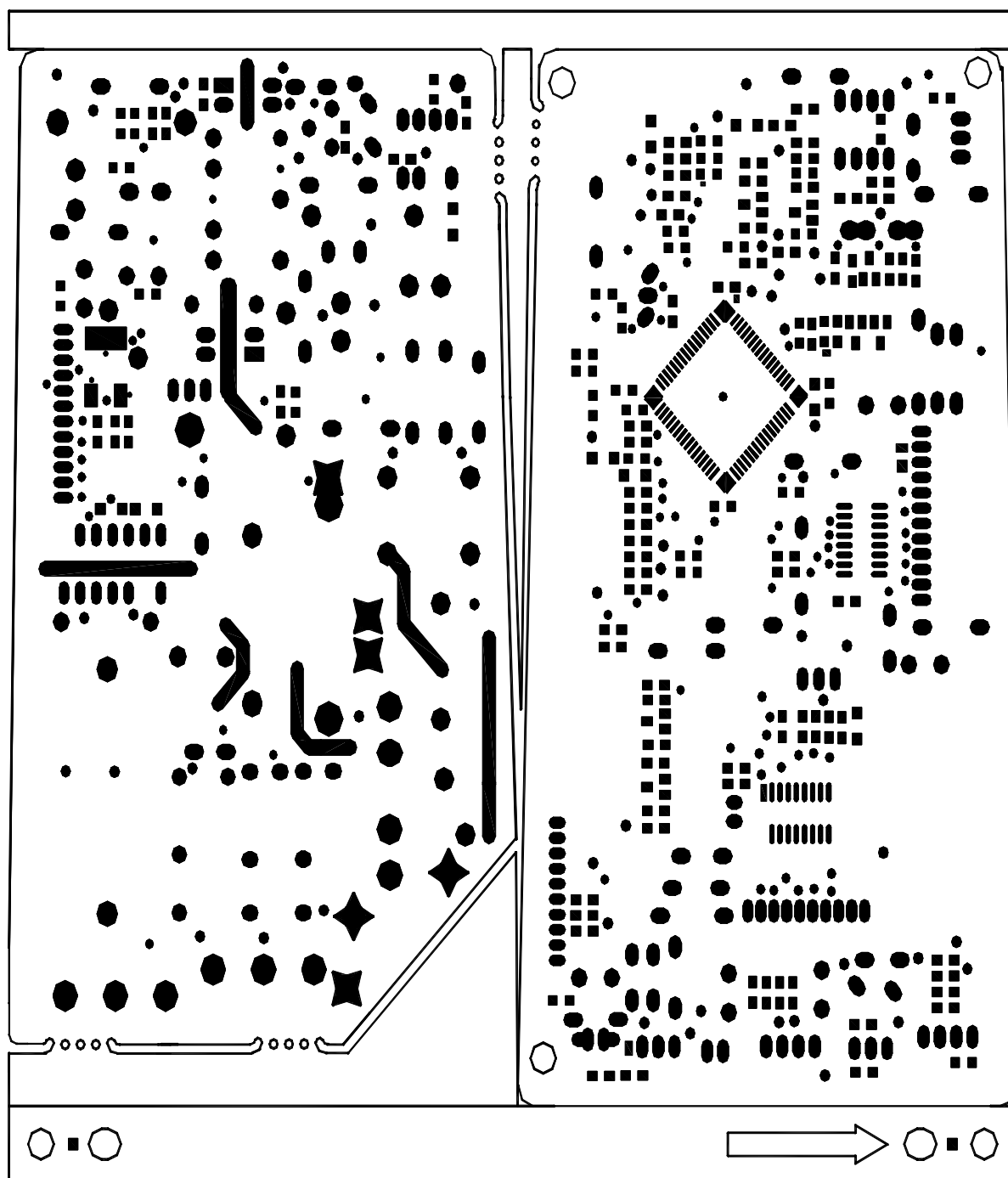
SCHEMATIC DIAGRAM OF PCB

BOTTOM WIRING VIEW



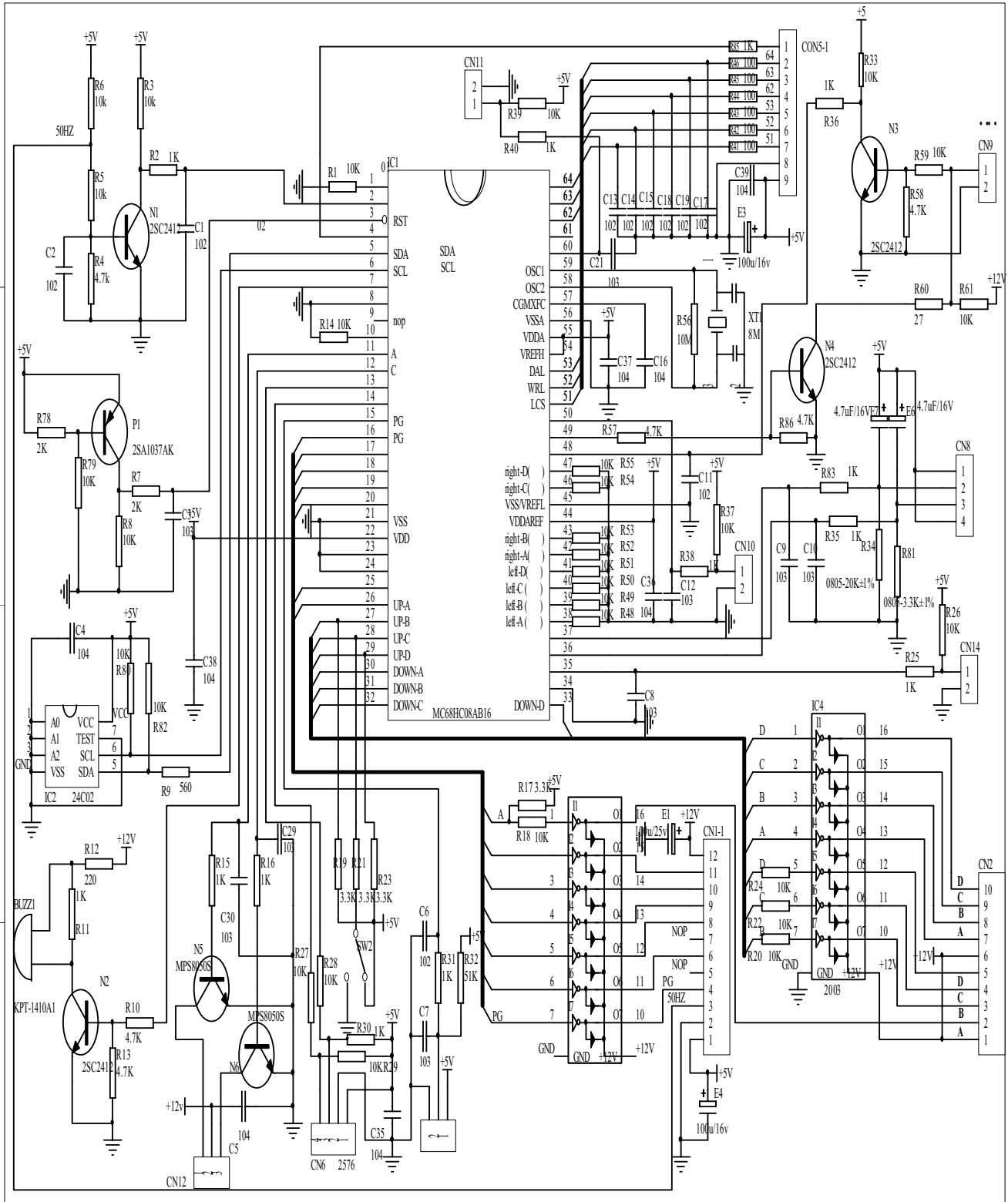
SCHEMATIC DIAGRAM OF PCB

WELDING VIEW



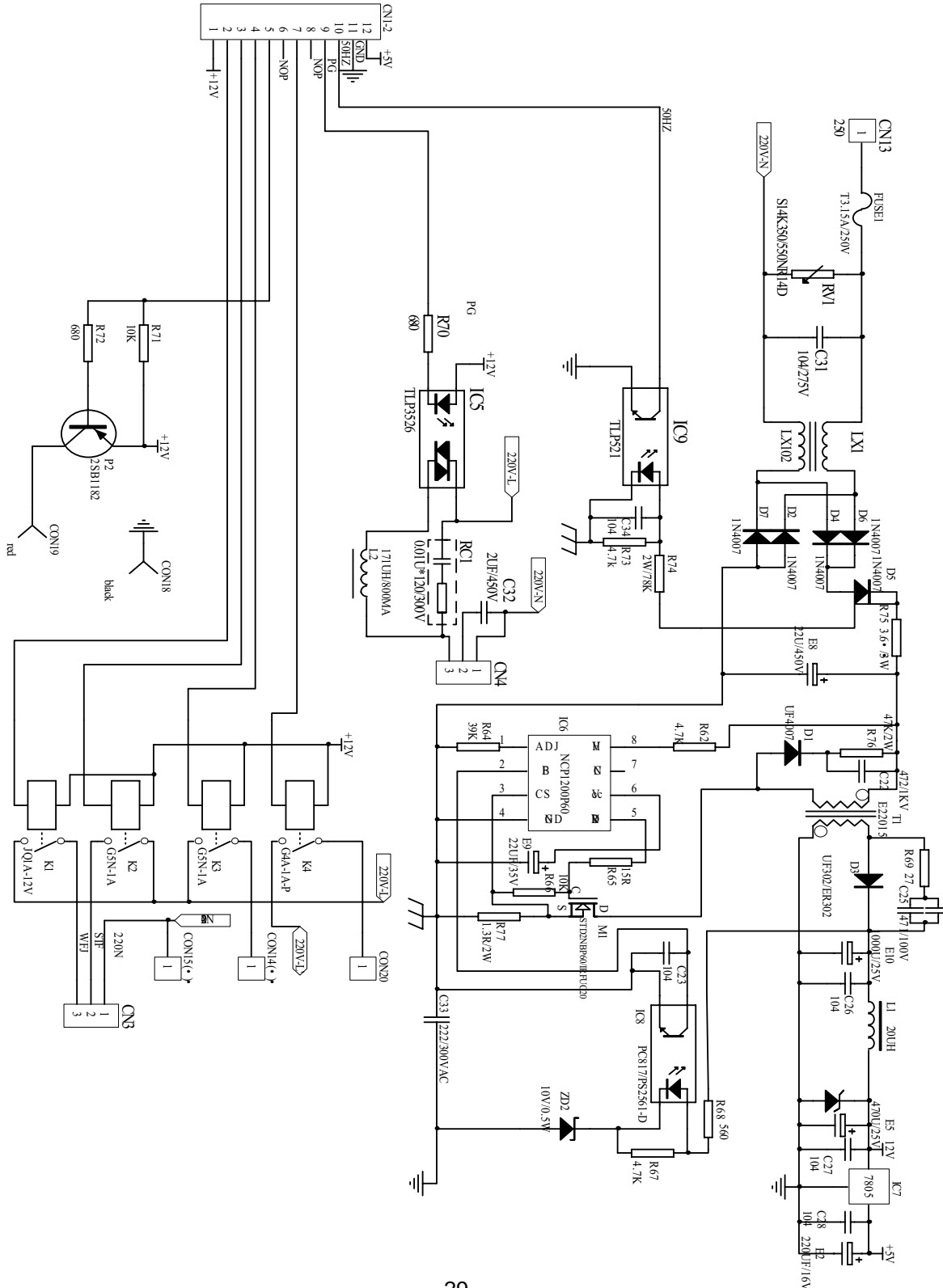
SCHEMATIC DIAGRAM OF PCB

CIRCUIT DIAGRAM



SCHEMATIC DIAGRAM OF PCB

CIRCUIT DIAGRAM



Sincere Forever

Haier Group

Haier Industrial Park, No.1, Haier Road

266101, Qingdao, China

<http://www.haier.com>



Большая библиотека технической документации

<https://splitsystema48.ru/instrukcii-po-ekspluatacii-kondicionerov.html>

каталоги, инструкции, сервисные мануалы, схемы.